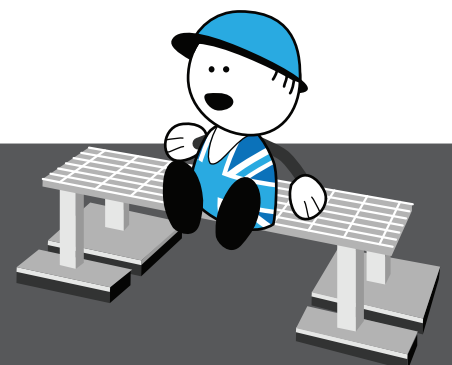
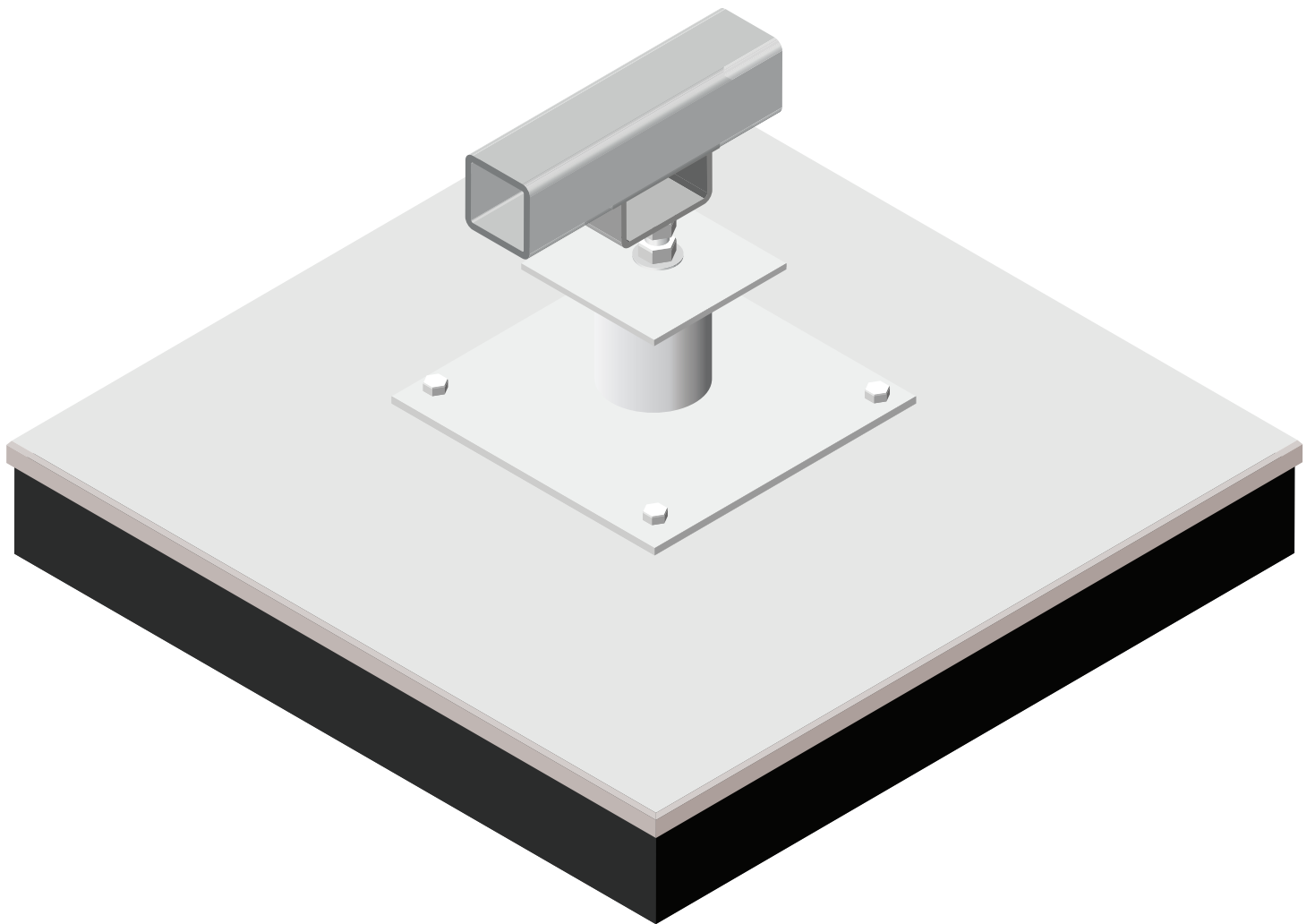




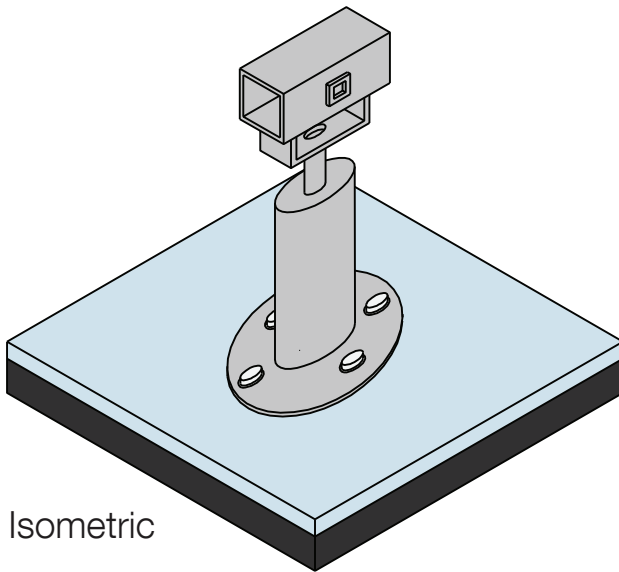
MEGA Support Foot



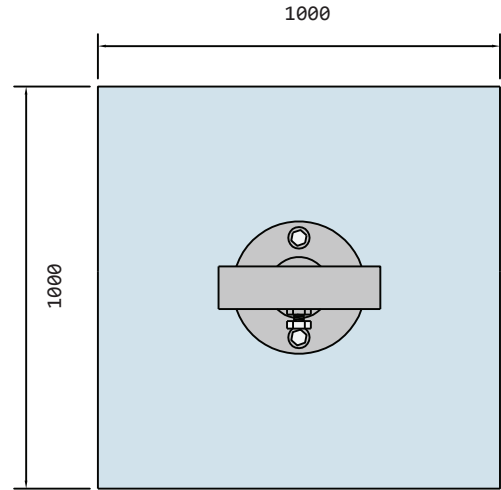
This drawing remains the property of Roof Runner and is loaned on condition that it is not reproduced, copied or loaned to any third party, in part or whole, without our expressed permission.



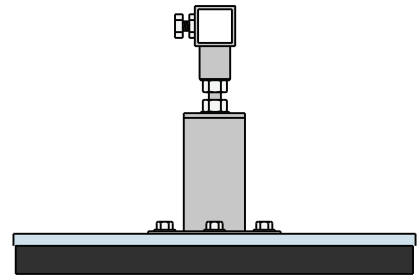
MEGA SUPPORT FOOT
(L)1000MM X (W)1000MM X (H)50/100MM



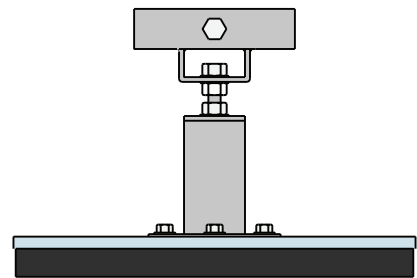
Isometric



Plan



Side



Elevation

Technical Data

Safety loads individually

Project application:	Super chillers and extra large Ahu's
Roofing:	Membrane and Bitumen
Material:	Mild steel BS EN 10025 Yield 280 N/mm ² Ultimate tensile strength 370 N/mm ²
Protection:	HDG BS EN ISO 1461
Base material:	Closed cell polyethelene 67 kg/m ³
Fasteners:	BS 6946 BS EN Yield stress 170/mm 21

