

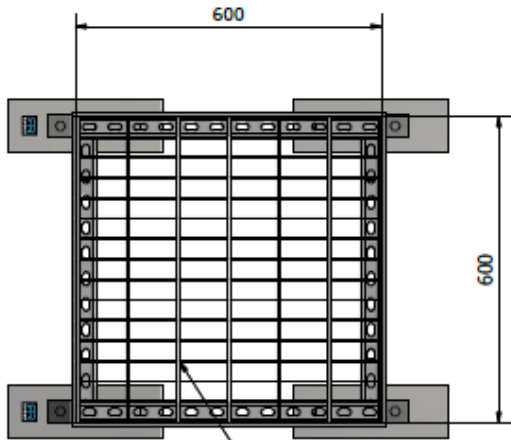
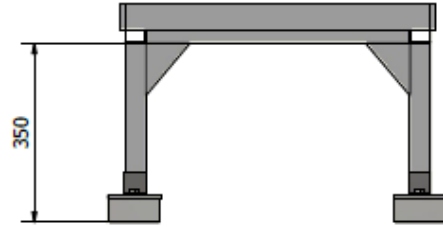
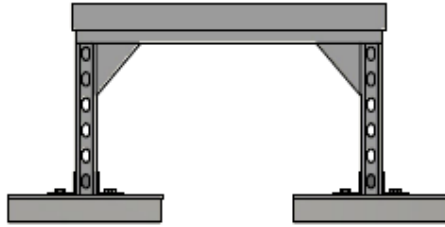


STEP UP



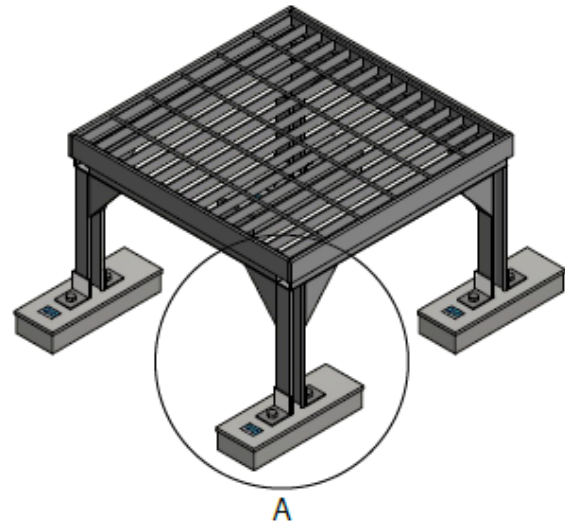
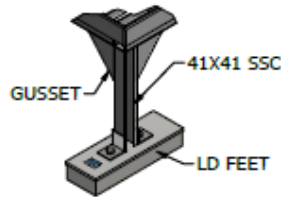


DRAWING



41/100 25X3 OPEN STEEL FLOORING

A (1 : 10)



PARTS LIST				
ITEM	QTY	PART NUMBER	DESCRIPTION	
1	4	LD FEET		
2	4	SLOTTED STEEL CHANNEL		
3	8	GUSSET		
4	1	600X600 OPEN STEEL FLOORING		
5	4	SIDE PLANK		
Designed by	Checked by	Approved by	Scale	Date
RUBLE			1:8	6/5/2020
Customer				
STEP UP			Edtion	Sheet
				1 / 1